



## Thermostatic Temperature Control Valve — TRIM ONLY

Rohl Modern Collection

**BA190X**

**BA190L**

### FEATURES

- Trim plate, escutcheon, and handle to thermostatic valve
- Integrated preset temperature stop

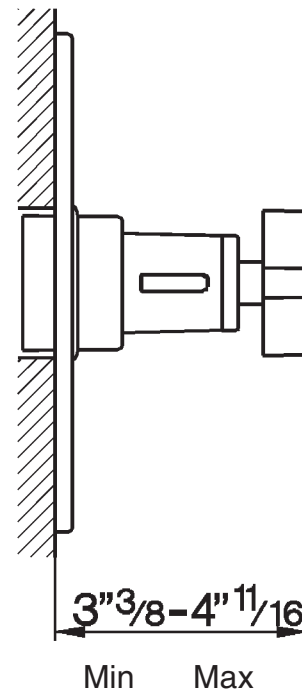
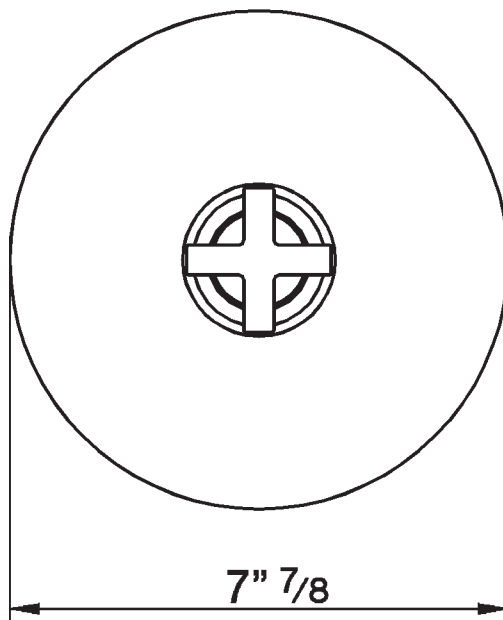
### COLORS/FINISHES

- Polished Chrome
- Satin Nickel
- Polished Nickel

### WARRANTY

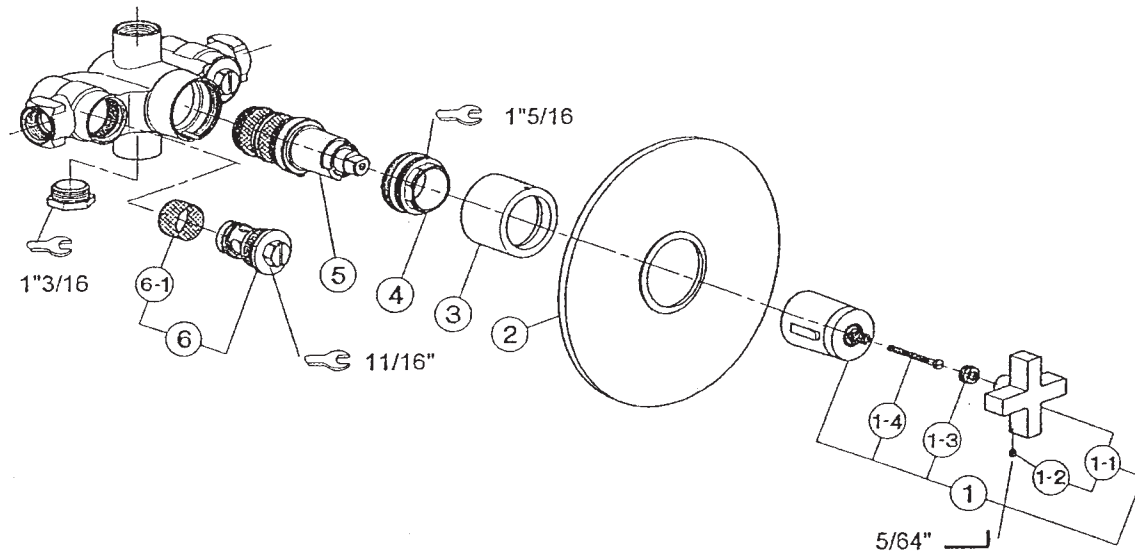
- Limited Lifetime

To complete package order:  
HY19BO rough



## Thermostatic Temperature Control Valve — TRIM ONLY

BA 190 X / TO + HY 19 BO



POS.	DESCRIPTION	CODE	POS.	DESCRIPTION	CODE
1	Handle - temperature set-up "BA"	ZZ936200	3	Covering tube for thermostatic mixer 3/4"	ZZ936000
1-1	Handle "BA" for single hole mixer	ZZ937050	4	Fixing nut for thermostatic cartridge 3/4"	ZZ936000
1-2	Screw-stainless steel M.4x4	ZZ933280	5	Thermostatic valve - concealed mixer "HY"-G.3/4"	ZZ936000
1-3	Complete broached reduction piece	ZZ933300	6	Back-flow valve - therm. conc. mixer "HY"-G.3/4"	ZZ936000
1-4	Screw M.4x47	ZZ935630	6-1	Filter for back-flow valve	ZZ936000
2	Plate - thermostatic concealed mixer	ZZ936130			